



DY FLOWTECH Inc.

(DONG YANG INSTRUMENT & TRADING CO., LTD)

OVAL FLOW METER



Manufactured Since 1988

The Principle



The oval gear flow meter is a kind of Roots Flow Meter. As the fluid being measured passes through the meter, it rotates 2 oval gears in measuring cavity to displace a precise volume of fluid. A sensor detects the gear rotation to determine displaced volume and flow rate.

General Specification

● FEATURES

- High Accuracy $\pm 0.5\%$
- High Temp. and pressure up to 50°C , 20kg
- Sensor : Reed Switch Type, Hall Effect Type
- High, Low speed pulse signal output
- Low cost Long Life
- Easy-to-Read digital display

● BASIC METER

Nominal Size		15, 20, 25mm
Accuracy		within $\pm 0.5\%$
Max. operating pressure		10kg, 20kg,
Max. operating temperature		50°C
Flange rating		ASA 150LB or JIS10kgf/cm ² , 20kgf/cm ² , DN 10Bar, 16Bar, 20Bar
Material	Meter body	Aluminium
	Rotors	Resin
Display	Totalizing Counter	8-digit LCD
	Reset Counter	6-digit LCD
Power	Lithium battery	Ratings: 3.6V, Life: approx, 2-3 years

● MODEL CODE

Basic Model	Size	Max. Temp	Mat'l	Display/ Output	Connection	Description	
BH	15					1/2" (15mm)	
						20	3/4" (20mm)
						25	1" (25mm)
		1					50℃
			AL				Body:Aluminum, Rotor:Resin
			SS1				Body:SUS304, Rotor:Resin
			SS2				Body:SUS316, Rotor:Resin
				0			6 digit Flowrate/8 digit Totalizer
				1			6 digit Flowrate/8 digit Totalizer/Pulse
				2			6 digit Flowrate/8 digit Totalizer DC24V
				3			6 digit Flowrate/8 digit Totalizer AC220Ve
				4			6 digit Flowrate/8 digit Totalizer/4-20mA DC24V
				5			6 digit Flowrate/8 digit Totalizer/4-20mA AC220V
					TRD		BSP,NPT,PT,PF Thread
					J10		JIS 10K
				J20		JIS 20K	
				A15		ANSI 150#	
				A30		ANSI 300#	
				P10		PN 10	
				P16		PN 16	
				P20		PN 20	

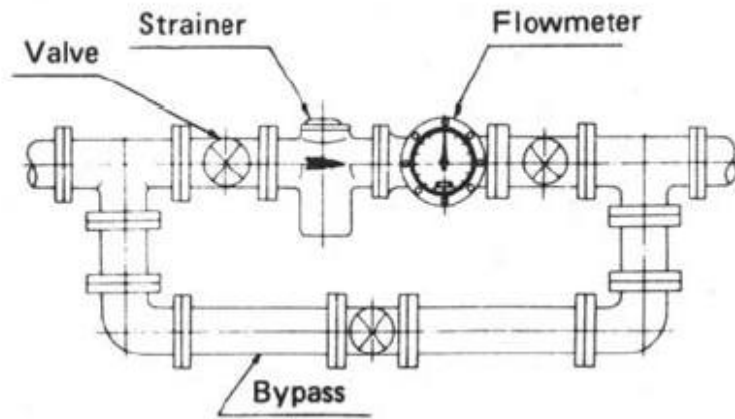


● FLOW RANGE (BASIC OPTION)

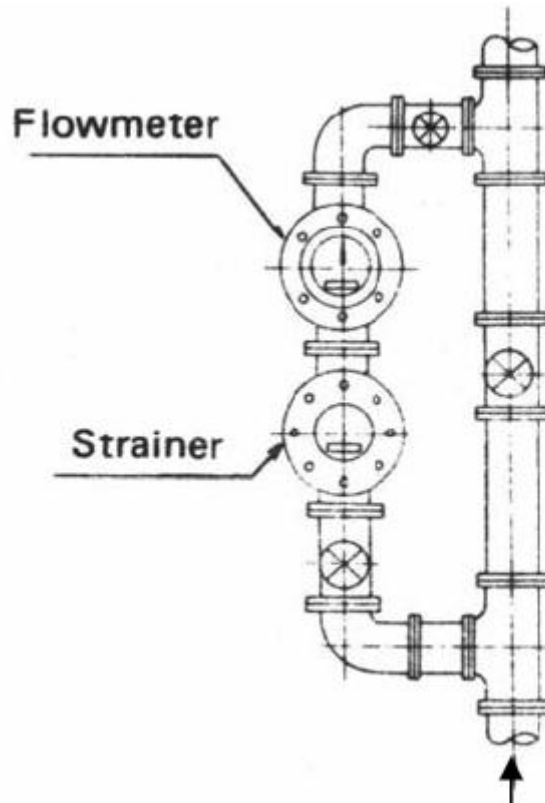
Model	Size(mm)	Flow Range(L/H)
BH 15	15	10 ~ 300
BH 20	20	10 ~ 500
BH 25	25	10 ~ 700

● INSTALLATION

As shown in Figs 1 and 2, Install 1 strainer at the inlet of flow meter and provide a bypass for the convenience of flow meter to repair and inspection

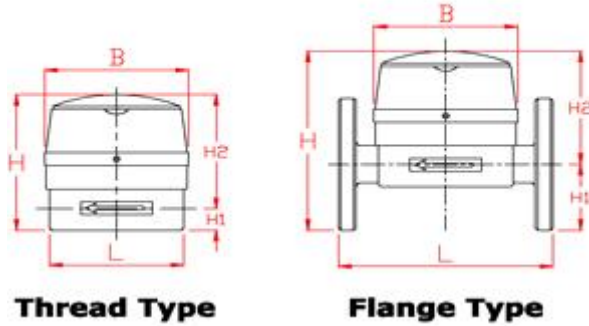


< Fig 1 Horizontal. >



< Fig 2 Vertical. >

● DIMENSION (BASIC OPTION)



Thread Type (mm)

Model	L	B	H	H1	H2
BH 15	106	114	130	20	110
BH 20	106	114	130	20	110
BH 25	106	114	130	20	110

Flange Type (mm)

Model	L	B	H	H1	H2
BH 15	170	114	157.5	47.5	110
BH 20	160	114	160	50	110
BH 25	170	114	172.5	62.5	110

※ Dimension available to change



**디와이플로우테크(주)
(동양)**

FACTORY

135-2, Gagok-li, Hwado-yp, Namyangju-si, Geonggi-do, 472-841 korea
 TEL : +82-31-594-4748
 FAX : +82-31-594-4749

www.flowmeternara.com

e-mail : dyit4514@naver.com